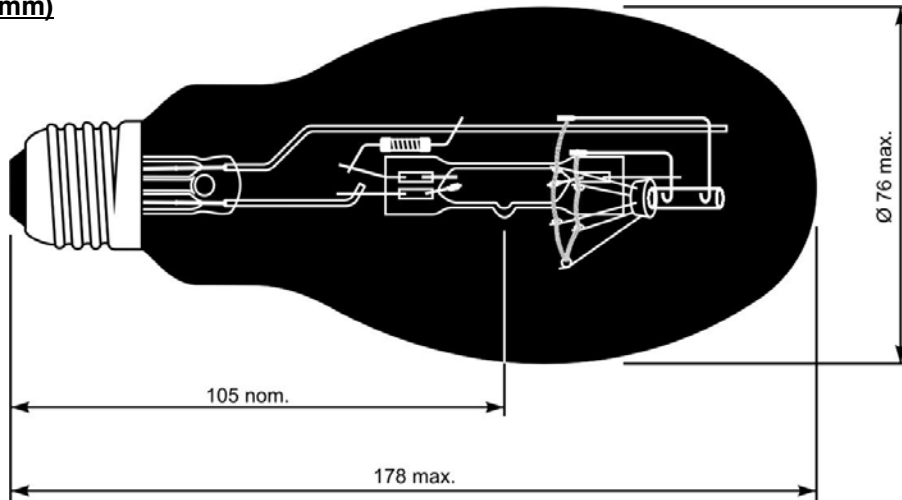


**DIMENSIONS (mm)**



Cap : E27/30 (IEC61-1)  
 Bulb : ED75 Woods Glass

<b>ELECTRICAL DATA: *</b>		<b>NOMINAL</b>	<b>MIN.</b>	<b>MAX.</b>
Lamp wattage	(W) :	160		176
Lamp voltage	(V) :	235	230	240
Lamp current	(A) :	0.80		
Lamp warm-up current	(A) :			1.0

\* True RMS measurement. Data refers to 1 hour life at an input voltage of 230V with lamps burning vertical cap up.

**PHOTOMETRIC DATA: \*\***

Initial Luminous Flux	(lm) :	10	-	20
Spectral UV-A emission	(mW/m <sup>2</sup> ) :	150	100	-

\*\* Spectral output measured with double monochromator. Data refers to 1 hr life at input voltage of 230V with lamps burning vertical cap up.

**OPERATING CONDITIONS:**

Burning Position	:	Vertical ± 30°		
Lamp starting voltage	(V) :			180
Supply Voltage	(V) :	235	230	240
Ballast type	:	Self-ballasted		
Voltage / current ratio	:	N/A		
Compensation capacitor	(µF) :	N/A		
Cap rim temperature	(°C) :			210
Bulb temperature	(°C) :			400

**LAMP LIFE:**

Individual life	(h) :	2000	1000	-
Mean UV-A maintenance	(%) :	Depreciation of 15% per thousand hours		

**ATTENTION :** Lamps must comply with the safety requirements of IEC publication 60118.  
 Ballasts and luminaires must comply with IEC 60262 and IEC 60598-1 respectively.  
 Inspection is in accordance with IEC 60410.  
 Lamps should not be operated with a broken or absent outer envelope.

Issued by : TIENEN  
 Date : 16.12.2008  
 Revision date :

**PROVISIONAL  
 DATA SHEET**

Specification No. : 45-40-0023973  
 Supersedes :  
 Page 1 of 1